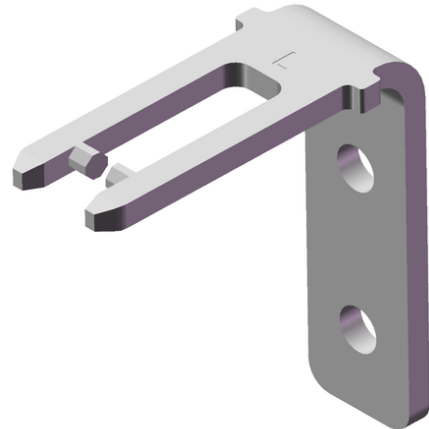


## BETAETIGER-P-WN (Order no. 074571)

### Bent actuator for safety switch NP/GP/TP, increased overtravel

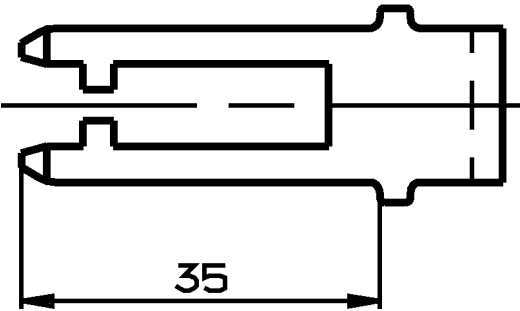
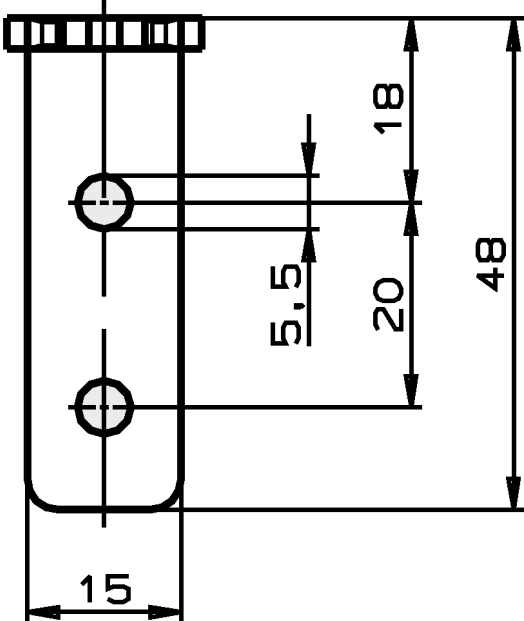
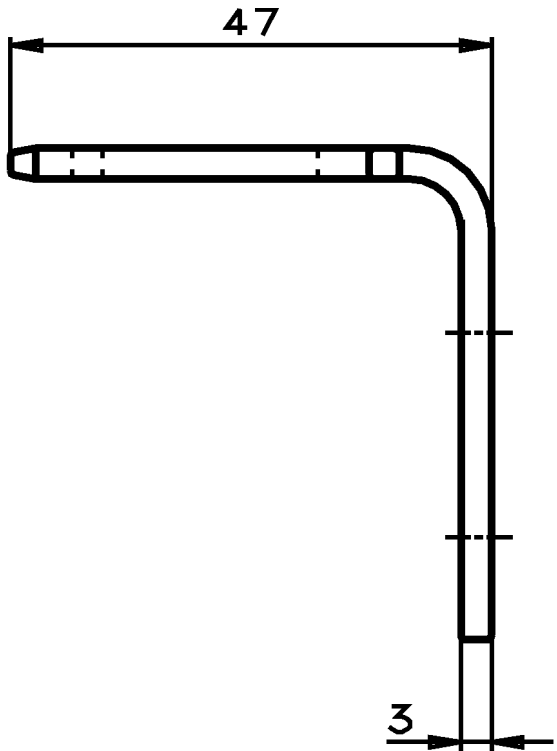
- ▶ Actuator made of stainless steel
- ▶ Two stainless-steel safety screws per actuator



### Screws made of stainless steel

The safety screws included can be inserted with a normal tool, but cannot be removed again.

Dimensional drawings



## Technical data

### Mechanical values and environment

Overtravel	max. 7 mm
Door radius	min. 1000 mm
Material	
	Screw Stainless steel
	Actuator Stainless steel

### Miscellaneous

Usability of insertion funnel	yes
-------------------------------	-----

## Downloads

All documentation for this material can be found on our website:

<https://www.euchner.de/en-us/a/074571/?#downloads-tab>

**Ordering data**

Ordernumber	074571
Item designation	BETAETIGER-P-WN
Gross weight	0,029kg
Customs tariff number	85389099990
ECLASS	27-27-26-06 Actuator for safety-related position switch

## Accessories

### Mounting accessories

#### Safety screws M5 x 10

**073455**

M5X10-NIRO/V100

- ▶ Safety screws M5 x 10
- ▶ Packaging unit 100 pieces